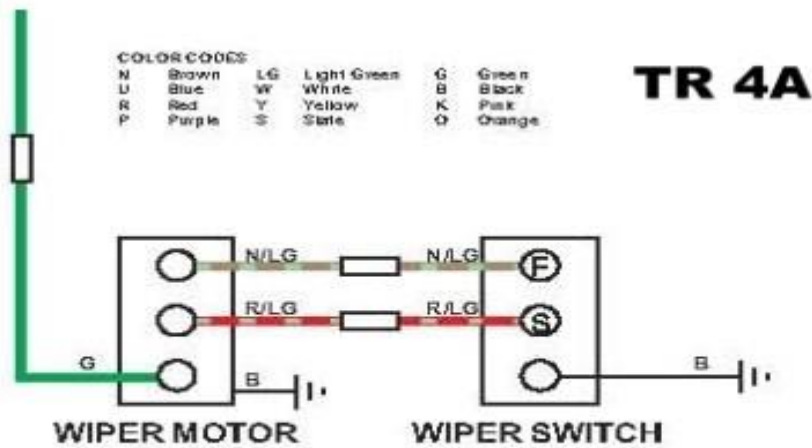
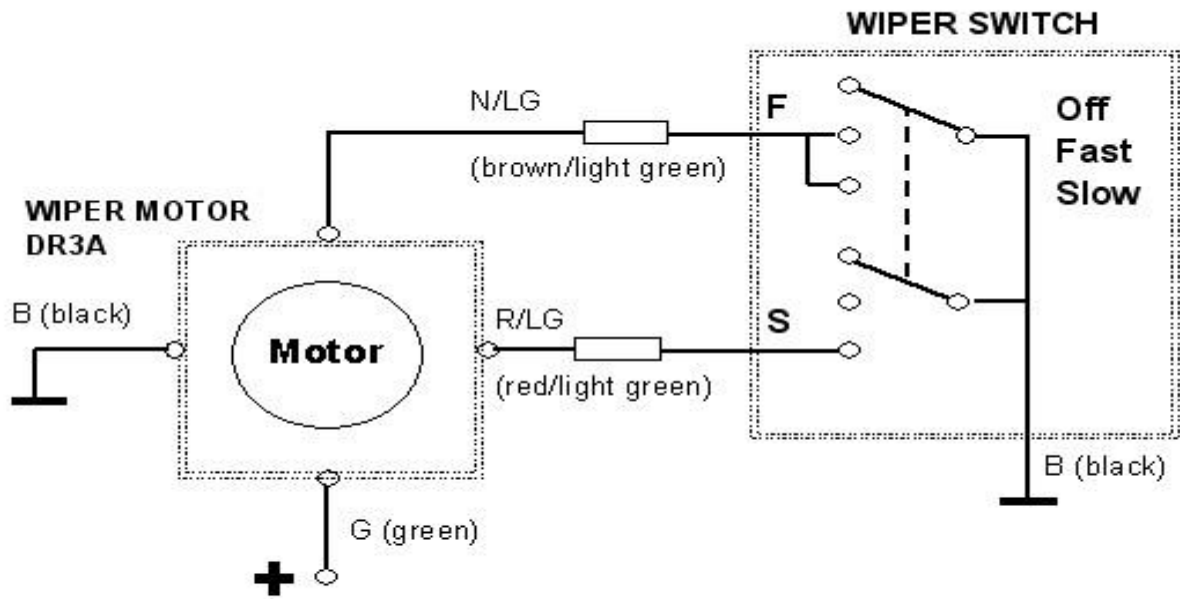




Her har du et udsnit af de mange kombinationer på styring af visker motor



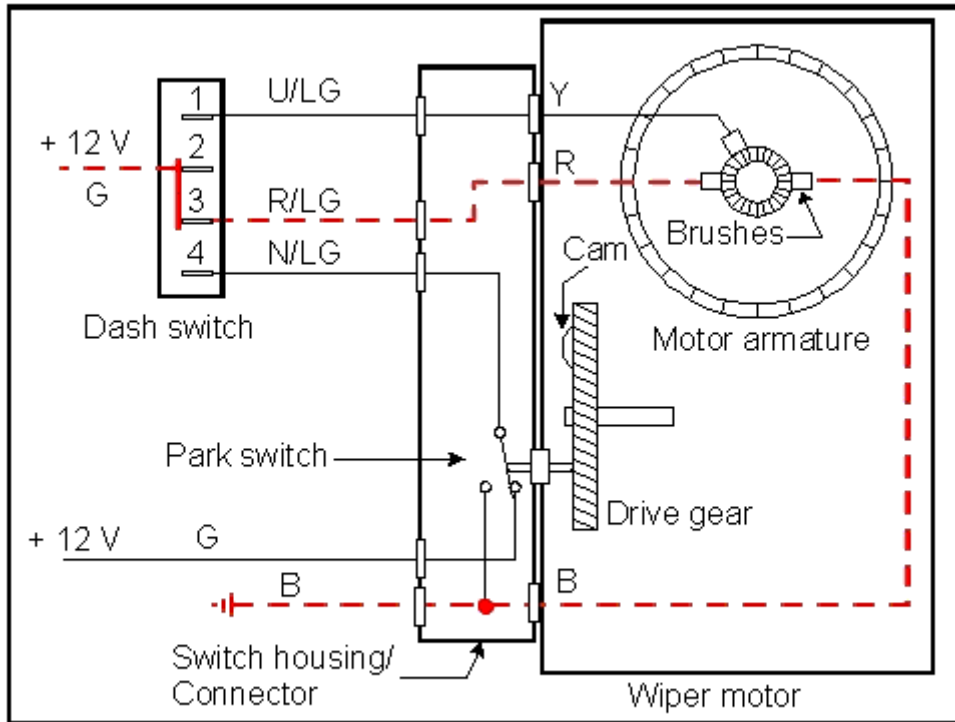


FIGURE 1 - SWITCH IN **NORMAL** (low speed) POSITION

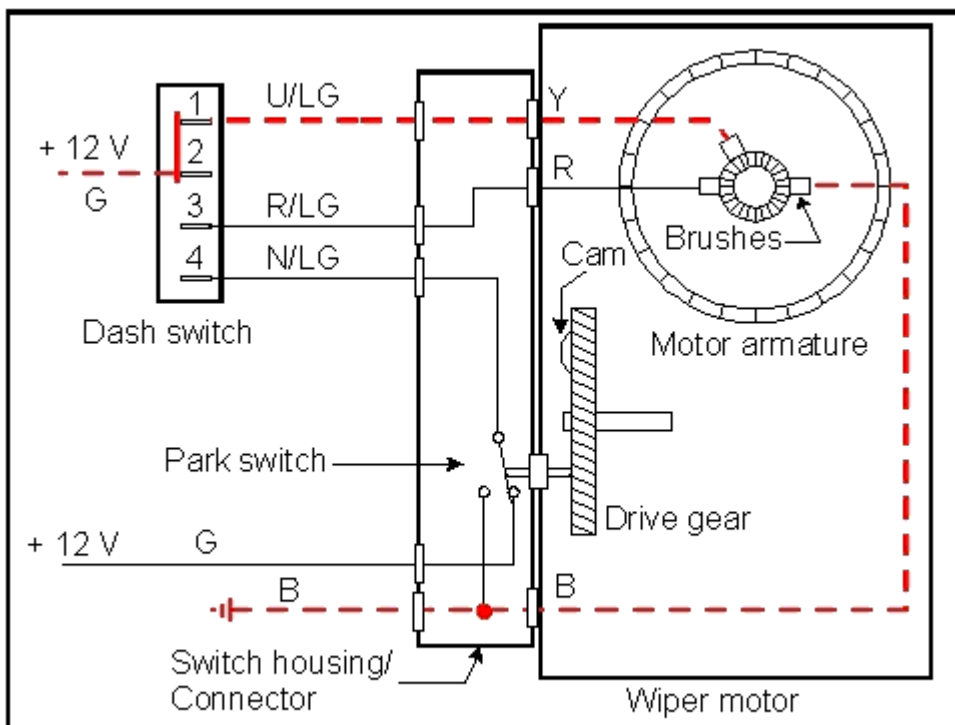


FIGURE 2 - SWITCH IN **HIGH** POSITION

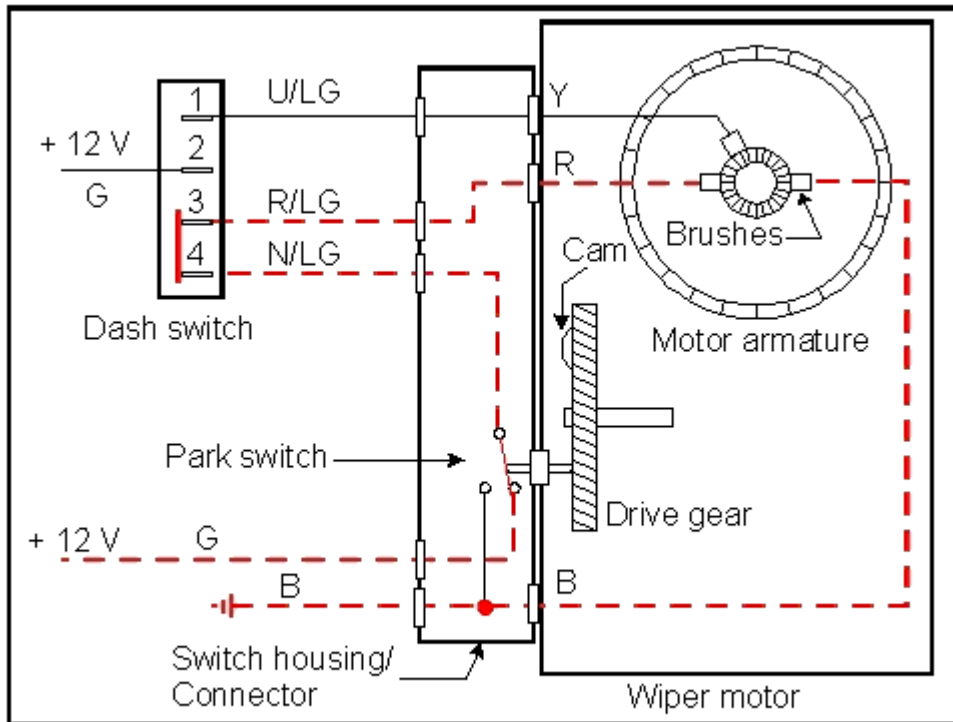


FIGURE 3 - SWITCH OFF, WIPERS **NOT** IN PARK POSITION

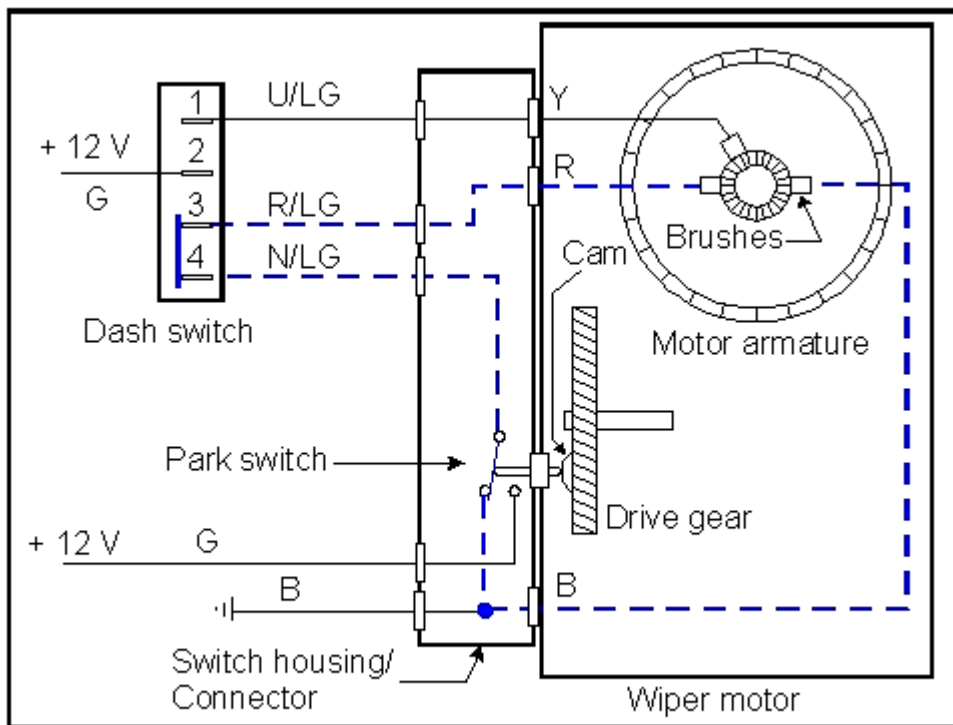


FIGURE 4 - SWITCH OFF, WIPERS **IN** PARK POSITION

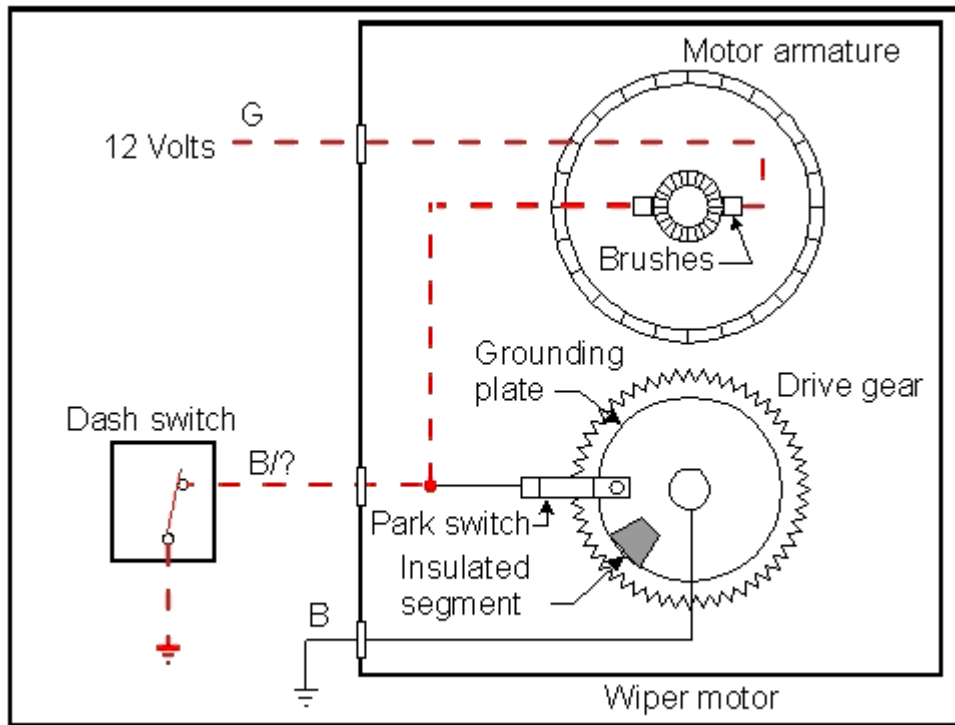


FIGURE 5 - DASH SWITCH ON

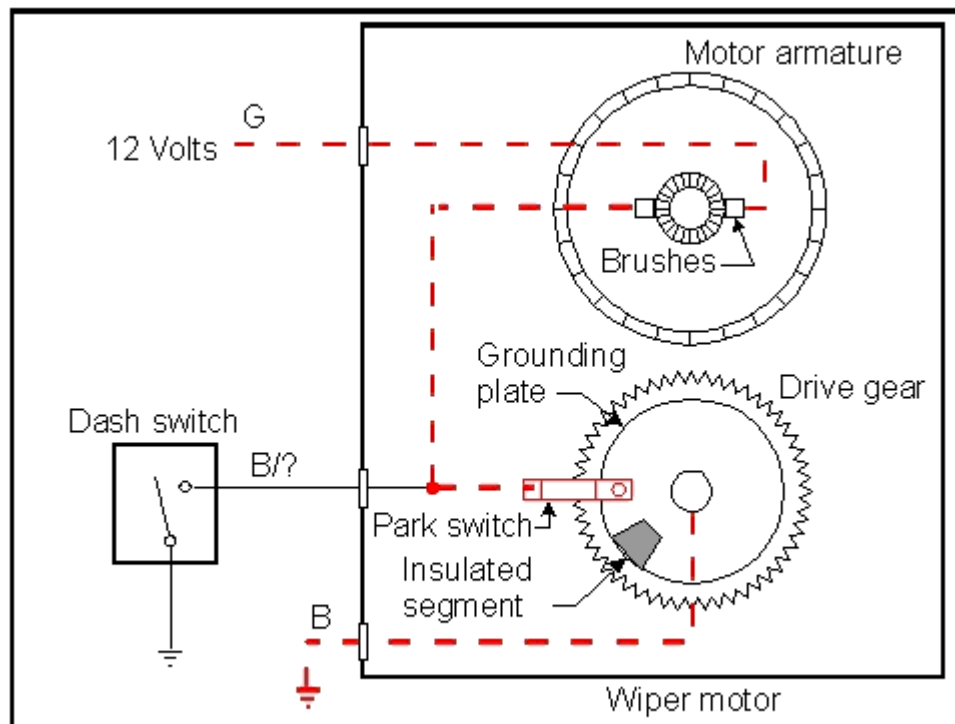


FIGURE 6 - SWITCH OFF, WIPERS **NOT** IN PARK POSITION

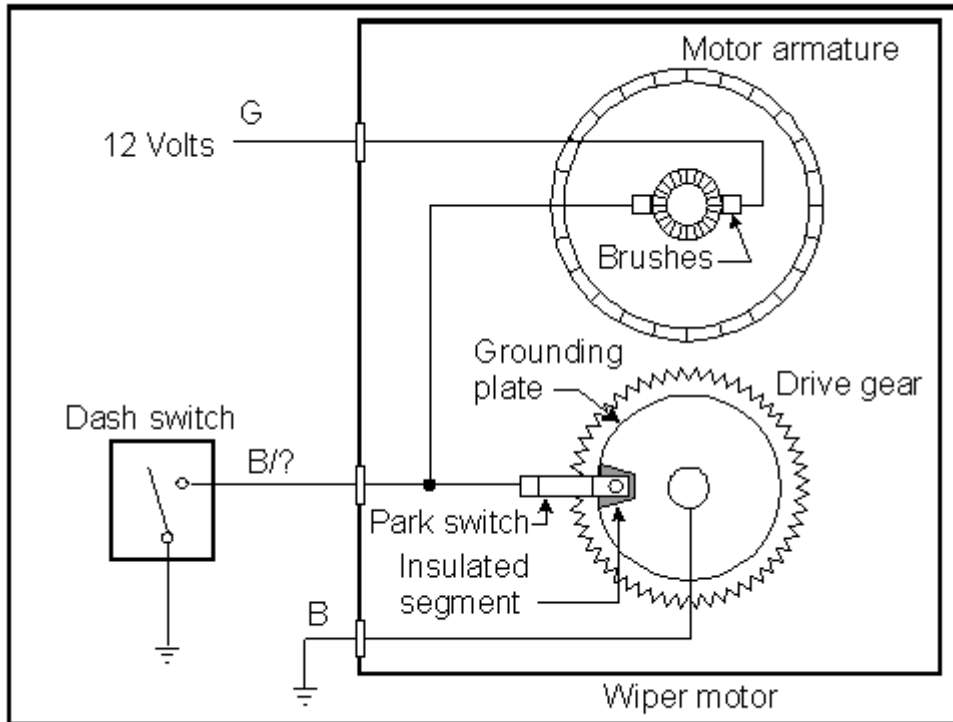


FIGURE 7 - SWITCH OFF, WIPERS **IN** PARK POSITION

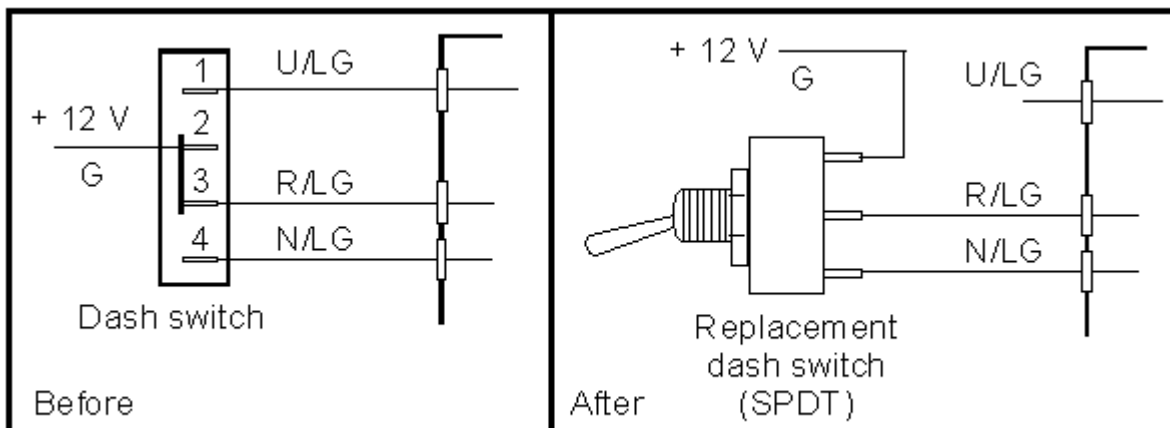


FIGURE 8 - EMERGENCY DASH SWITCH REPLACEMENT